

3-Pc End Entry Ball Needle Ball Model: BNB



TRUNNION MOUNTED OR FLOATING
BI-DIRECTIONAL SHUT-OFF
BAR/FORGED CONSTRUCTION

Sizes: 1/2" to 26"

Ratings: ANSI / ASME: 900 - 4500
API: 2000 - 15000

Design Standards: API 6D, API 6A, B16.34

Temperature: From minus 320 °F to 1400 °F

End Connections: SW, BW, RF, RTJ, Customer Specified
ANSI B16.5 / API 6A / ANSI B16.25

Leakage Class Options:

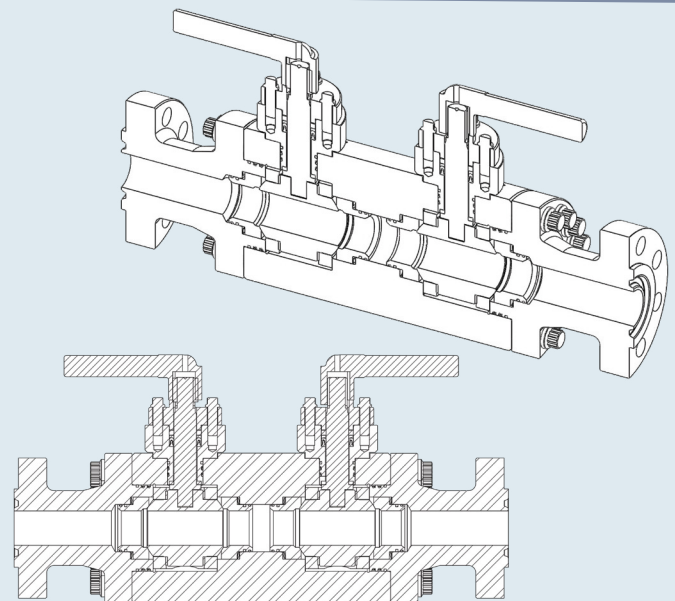
- Bubble Tight (Soft Seated)
- ANSI/FCI 70.2 Class V & VI (Metal Seated)
- API 6D & API 6A - PSL 1, 2, 3 & 3G
- API 598, ISO 5208 Rate A

Actuation: Manual, Pneumatic, Hydraulic, Electric



Standard Features

1. Pre-loaded, pressure assisted seating, bi-directional seating: no lateral ball movement along flow bore. Pre-loading provides uniform torque. Pressure assistance assures tighter seal.
2. Engineered stem and fugitive emission seals per customer specification
3. Rigid bolted body: optimal strength and versatility
4. Trunnion ball support: For 2" & above to improve downstream seal life



13124 Trinity Drive, Stafford, TX. 77477
www.cornerstonevalve.com
(281) 880-8188



Model: BNB

A/R = AS REQUIRED

ITEM	QTY	DESCRIPTION
1	1	Body
2	2	Bonnet
3	2	Ball
4	2	Tailpiece
5	4	Seat
6	2	Stem
7	2	Packing Flange
8	4	Bearing
9	4	Trunnion Plate
10	4	Wave Spring
11	4	Piston Fire Seal
12	4	Piston O-Ring
13	4	Tailpiece O-Ring
14	4	Tailpiece Back Up Ring
15	4	Tailpiece Fire Seal
16	2	Stem Lip Seal
17	2	Bonnet Fire Seal
18	2	Bonnet O-Ring
19	2	Bonnet Back Up Ring
20	2	Thrust Bearing
21	A/R	Packing Bolting
22	A/R	Bonnet Bolting
23	A/R	Tailpiece Bolting
24	1	Needle Valve Assy.
25	2	Handle

Applications

- Oil & Gas Production Natural Gas to 15,000 psig
- Crude Oil
- Ore Slurries
- Steam Condensate
- Cryogenic / Liquid or Gas

Materials

Carbon Steel, Stainless Steel, Duplex, Stainless, Chrome Molybdenum, Nickel & Titanium based alloys and other exotic alloy available upon request.

Available Options

- Double Block & Bleed
- Steam Purge Ports
- Secondary & Tertiary Stem Seals
- Soft Seated or Metal Seated
- Various Ball and Seat Coatings
- CRA Overlays
- Firesafe
- Materials to Nace Standards
- More, available upon request

