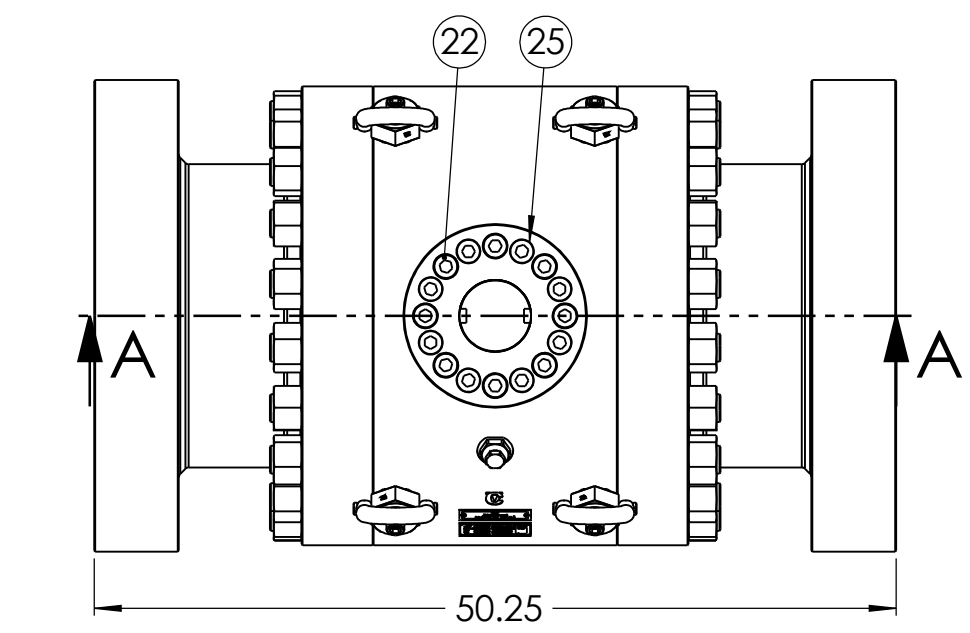
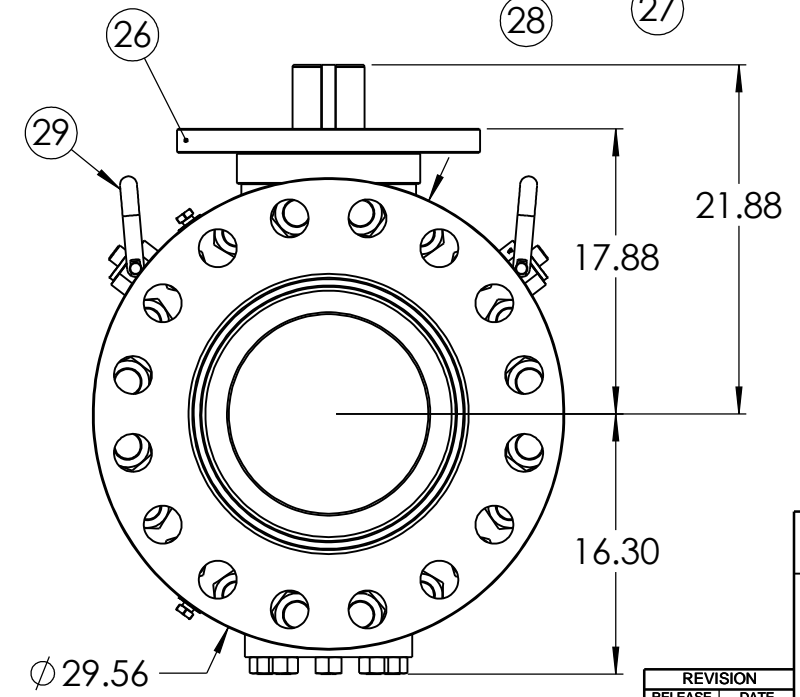


SECTION A-A
SCALE 1 : 8



SCALE 1 : 8



SCALE 1 : 12

ITEM	DESCRIPTION	MATERIAL	QTY.
1	BODY	ASTM A182 F51	1
2	BONNET	ASTM A182 F51	1
3	**BALL	ASTM A182 F51 ENP	1
4	STEM	ASTM A182 F51	1
5	LOWER TRUNNION	ASTM A182 F51	1
6	END FLANGE	ASTM A182 F51	2
7	**SEAT SPOOL	ASTM A182 F51	2
8	**SEAT RETAINER	ASTM A182 F51	2
9	*SEAT INSERT	30% CF PEEK	2
10	*THRUST WASHER	30% CF PEEK	1
11	*BUSHING	316SS/PTFE	1
12	*BUSHING	316SS/PTFE	1
13	SEAT SPRING	INCONEL X750	96
14	*BONNET DELTA SEAL	VITON/PTFE/GRAFOIL	1
15	*STEM DELTA SEAL	VITON/PTFE/GRAFOIL	1
16	*TRUNNION DELTA SEAL	VITON/PTFE/GRAFOIL	1
17	*TAIL DELTA SEAL	VITON/PTFE/GRAFOIL	2
18	*SEAT DELTA SEAL	VITON/PTFE/GRAFOIL	2
19	*TAIL O-RING	VITON	2
20	HEAVY HEX NUT	ASTM A194 2HM XYLAN	40
21	END FLANGE STUD	ASTM A193 B7M XYLAN	40
22	BONNET SHCS	ASTM A193 B7M	8
23	TRUNNION STUD	ASTM A193 B7M XYLAN	8
24	HEAVY HEX NUT	ASTM A194 2HM XYLAN	8
25	MTG FLANGE SHCS	ASTM A193 B7M	8
26	MOUNTING PLATE	CARBON STEEL	1
27	BODY TEST/DRAIN PORT	INCONEL 625	2
28	API 6D NAME PLATE	316SS	1
29	HOIST RING	CARBON STEEL	4

* RECOMMENDED SPARES FOR STARTUP, BASIC SOFT GOODS
 ** RECOMMENDED TWO YEAR SPARES FOR REPAIR/REBUILD
 RECOMMENDED BOLTING TORQUE (FASTENERS LUBRICATED)
 BODY/BONNET: 588 ft/lbs
 BODY/TRUNNION: 588 ft/lbs
 BODY /ENDFLANGE: 3,695 ft/lbs
 VALVE BREAK TORQUE: 304,800'LBS @ 3750PSI
 VALVE WEIGHT 6,000 LBS

DESIGNED TO API 6D AND TESTED TO API 6A PSL3
 FLANGES PER ANSI B16.5
 FIRE SAFE BY DESIGN
 HYDROSTATIC SEAT LEAK RATING PER FCI 70-2 CLASS VI
 DESIGN AND MATERIALS OF CONSTRUCTION
 SUITABLE FOR 250F, 8% CO2

Cornerstone Valve, Stafford, TX - USA 281-880-8188		DATE	
PART #	ES3-1400R-01500-00	MOP PSIG	3528 AT 250 °F MAX
SIZE/CLASS	14"ANSI 1500	MOP PSIG	3750 AT -20 °F MIN
BODY	A182 F51	E.T.E.	50.25"
PLUG	A182 F51 / ENP	SEAT	CF PEEK
TRIM	A182 F51	ENDS	RTJ 63
		SR. #	

CORNERSTONE APPROVAL	CLIENT APPROVAL	COPYRIGHTED CAD GENERATED DRAWING, DO NOT MANUALLY UPDATE	 13124 Trinity Drive Stafford, TX, 77477 281-880-8188 www.cornerstonevalve.com																
 BY: BC DATE: 02/10/15 STAFFORD TEXAS USA		<table border="1"> <tr><th>APPROVALS</th><th>DATE</th></tr> <tr><td>DRAWN GC</td><td>02/10/2015</td></tr> <tr><td>CHECKED RB</td><td>02/10/2015</td></tr> <tr><td>APPROVED BC</td><td>02/10/2015</td></tr> </table>	APPROVALS	DATE	DRAWN GC	02/10/2015	CHECKED RB	02/10/2015	APPROVED BC	02/10/2015	<table border="1"> <tr><th>TITLE</th></tr> <tr><td>14"x12.5" ANSI 1500 SOFT SEATED ES3 BALL VALVE</td></tr> <tr><th>SIZE</th></tr> <tr><td>B</td></tr> <tr><th>DWG. NO.</th></tr> <tr><td>ES3-1400R-01500-00</td></tr> <tr><th>REV.</th></tr> <tr><td>A</td></tr> </table>	TITLE	14"x12.5" ANSI 1500 SOFT SEATED ES3 BALL VALVE	SIZE	B	DWG. NO.	ES3-1400R-01500-00	REV.	A
APPROVALS	DATE																		
DRAWN GC	02/10/2015																		
CHECKED RB	02/10/2015																		
APPROVED BC	02/10/2015																		
TITLE																			
14"x12.5" ANSI 1500 SOFT SEATED ES3 BALL VALVE																			
SIZE																			
B																			
DWG. NO.																			
ES3-1400R-01500-00																			
REV.																			
A																			
CUSTOMER: MARATHON OIL SO#: 140189 PO#: 4500225156 ITEM/TAG#: SDV-0151, FSM2JF SPECIAL REQUIREMENTS: TESTING AND QUALITY TO API 6A PSL3 COMMENTS:		REVISION RELEASE DATE A 02/10/2015	SCALE: NTS SHEET 1 OF 1																