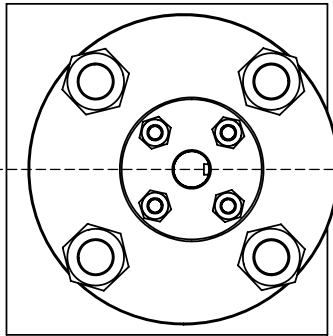
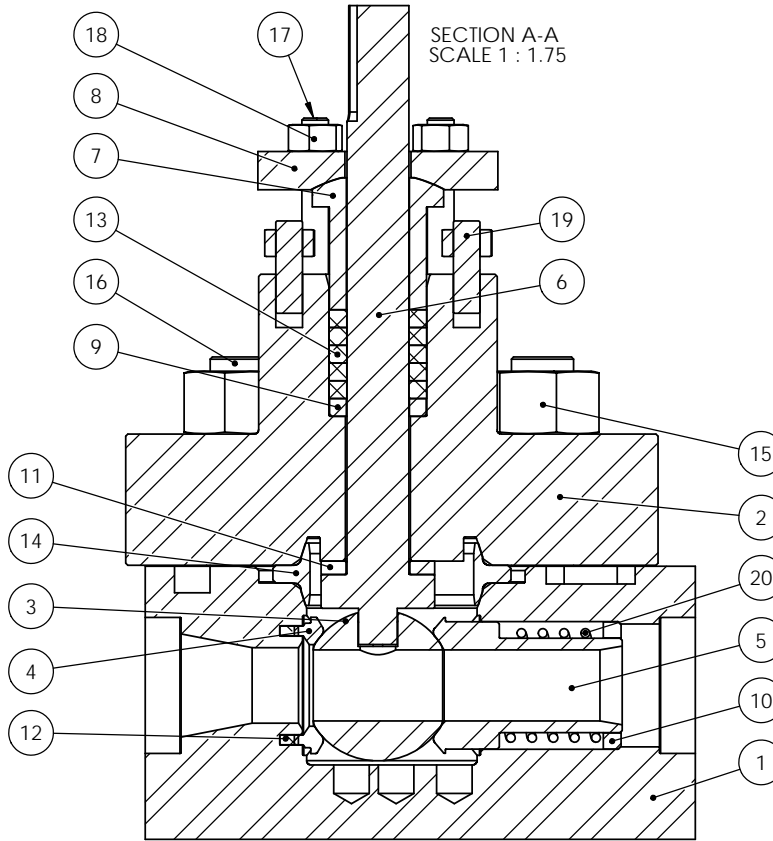
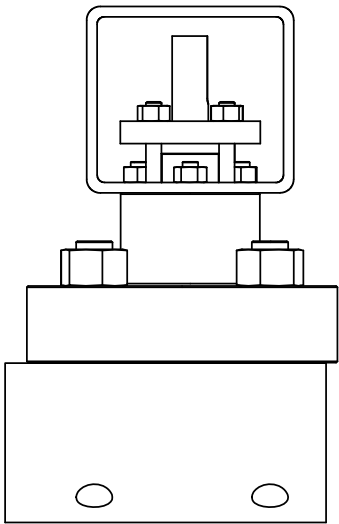


LOC	MARKING DATA
1	TEF REV. LTR, JOB NUMBER
2	STAMP MATERIAL DESIGNATION AND HEAT NUMBER USING LOW STRESS STAMPS.

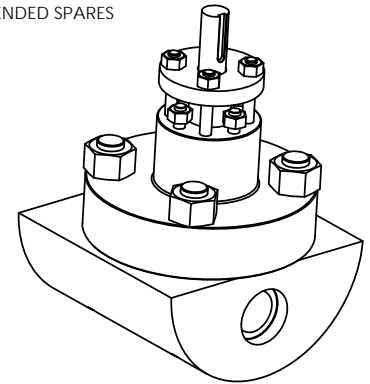


A



ITEM NO.	COMPONENT	MATERIAL	QTY.
1	BODY	ASTM A182 F91	1
2	BONNET	ASTM A182 F91	1
3	*BALL	INCONEL 718 W/ FUSION BONDED COATING	1
4	*SEAT DOWNSTREAM	INCONEL 718 W/ FUSION BONDED COATING	1
5	*SEAT UPSTREAM	INCONEL 718 NITRIDED	1
6	STEM	INCONEL 718	1
7	PACKING FOLLOWER	ASTM A182 F91	1
8	GLAND FLANGE	ASTM A182 F91 NITRIDED	1
9	STEM WASHER	ASTM A182 F91 NITRIDED	1
10	SPRING GUIDE	431SS	1
11	*THRUST WASHER	ASTM A182 F91 NITRIDED	1
12	*SEAT SEAL	FLEXIBLE GRAPHITE	1
13	*STEM PACKING	FLEXIBLE GRAPHITE	5
14	*BONNET SEAL RING	X718	1
15	HEAVY HEX NUT	INCONEL 718	4
16	THREADED STUD	INCONEL 718	4
17	THREADED STUD	INCONEL 718	4
18	HEAVY HEX NUT	INCONEL 718	8
19	THREADED STUD	INCONEL 718	4
20	WAVE SPRING	X750	1

*RECOMMENDED SPARES



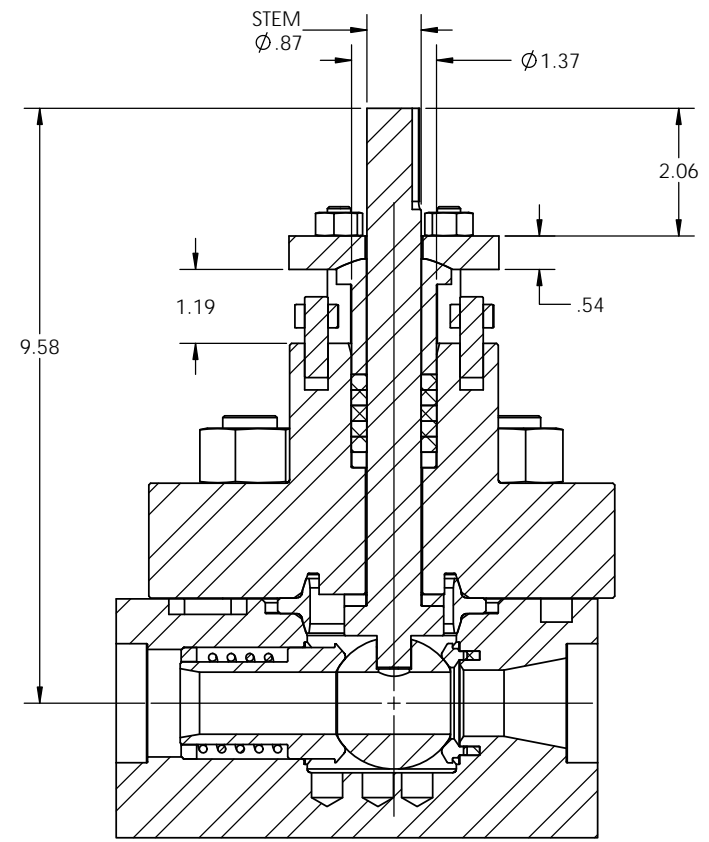
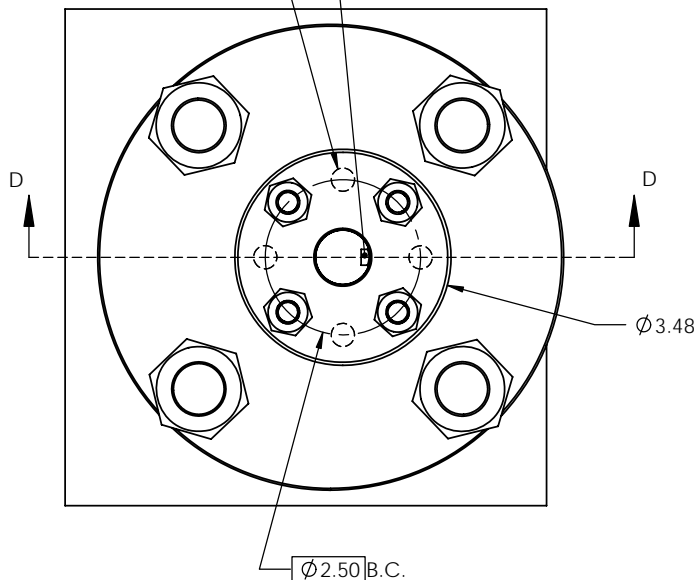
Cornerstone Valve, Stafford, TX - USA		DATE	
281-880-8188			
PART #	P-015R-2500-03	MOP PSIG	2160 AT 1200 °F MAX
SIZE/CLASS	1.5" x 1" 2500	MOP PSIG	11,250 AT -20 °F MIN
BODY	ASTM A182 F93	E.T.E.	7.75"
PLUG	INCONEL 718	SEAT	INCONEL 718
TRIM	INCONEL 718	ENDS	SOCKET WELD
		SR. #	

COPYRIGHTED CAD GENERATED DRAWING. DO NOT MANUALLY UPDATE		 <small>13124 Trinity Drive Houston, TX 77477 281-880-8188 www.cornerstonevalve.com</small>	
APPROVALS	DATE	TITLE	
DRAWN AC	9/2/2015	1.5" X 1" ANSI 4500 TEF FLOATING BALL SW POWER VALVE	
CHECKED		SIZE B	DWG. NO. TEF PV3
RESP ENG		SCALE: NTS	REV. A
APPVD BC	9/2/2015	SHEET 1 OF 3	
W/O. NUMBER			


THE INFORMATION CONTAINED IN THIS DRAWING IS THE SOLE PROPERTY OF CORNERSTONE VALVE AND CONTAINS CORNERSTONE TRADE SECRETS. ANY REPRODUCTION IN PART OR WHOLE WITHOUT THE WRITTEN PERMISSION OF CORNERSTONE VALVE USA, LP IS STRICTLY PROHIBITED.

(4X) 3/8"-16 UNC 2B ∇ .75
ON \varnothing ON 2.5 B.C. FOR BRACKET

5/16" Width X 1/2" Height X 1.125" Long
RECTANGLE KEY



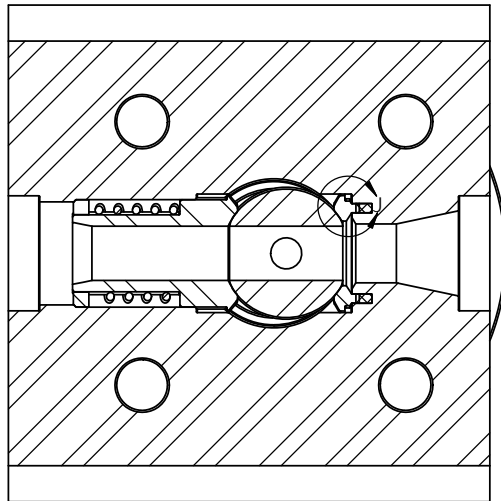
SECTION D-D
SCALE 1 : 2

COPYRIGHTED CAD GENERATED DRAWING. DO NOT MANUALLY UPDATE		 13124 Trinity Drive Houston, TX 77477 281-880-8188 www.cornerstonevalve.com	
APPROVALS	DATE	TITLE	REV.
DRAWN AC	9/2/2015	1.5" X 1" ANSI 4500 TEF PV1 FLOATING BALL SW POWER VALVE TOP WORKS	A
CHECKED			
RESP ENG			
APPROVED BC	9/2/2015		SIZE B
W.O. NUMBER		SCALE: NTS	SHEET 2 OF 3

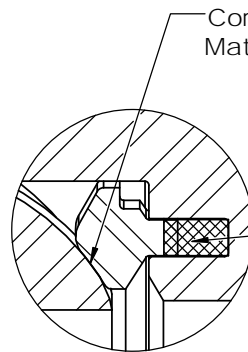
Valve applications above ANSI 2500 require a higher level of quality and engineering. Features, materials, engineering practice and configurations acceptable at lower pressures aren't proof against liability of function at ANSI 4500.

TEF is inline repairable, with a minimally disruptive repair procedure. All internal parts can be replaced via the top access bore, using special tools provided by Cornerstone, all while the valve body remains welded in line.

Heavy Hex Nuts with threaded studs are used for high pressure containing joints. A body/stud/nut fastening assembly aligns critical contact faces, a bolt suffers localized bending stress from assembly and static load that a 3-component fastener doesn't. Heavy Hex Nuts have large load faces compared to 12 point bolts.



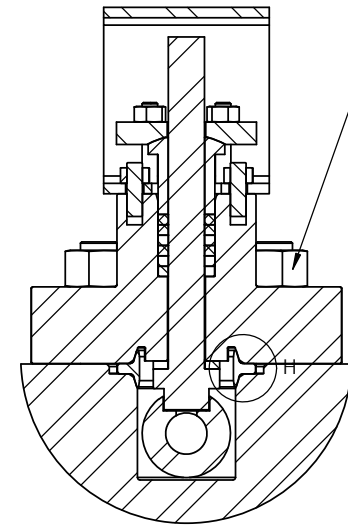
SECTION D-D
SCALE 1 : 2



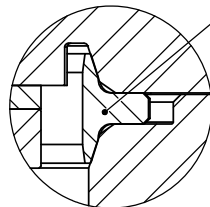
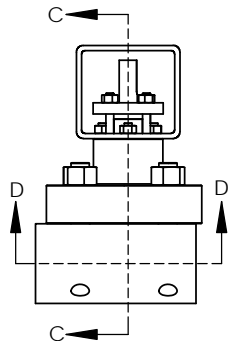
DETAIL J
SCALE 2 : 1

Corrosion resistant, metal-to-metal seat design. Mate-lapped for 100% sealing contact, ensuring absolute shut-off.

As opposed to integral seats, recessed seats are field replaceable, and effectively protected from exposure to media in both open & closed positions.



SECTION C-C
SCALE 1 : 3





DETAIL H
SCALE 1 : 1

Body-Bonnet Joint is fitted with a metal interference pressure energized seal. The joint is designed specifically for body and seal materials, size, and pressure class, to maintain minimum contact stress for effectively sealing without plastic deformation of the body or seal.

CUSTOMER: _____ SO#: _____ PO#: _____ ITEM/TAG#: _____
SPECIAL REQUIREMENTS: _____ COMMENTS: _____

REVISION	
RELEASE	DATE

CORNERSTONE APPROVAL  BY: _____ DATE: _____ DOCUMENT CONTROL STAFFORD TEXAS USA	CLIENT APPROVAL	COPYRIGHTED CAD GENERATED DRAWING. DO NOT MANUALLY UPDATE. APPROVALS DATE DRAWN AC 9/2/2015 CHECKED RB 9/2/2015 RESP ENG APPROVED BC 9/2/2015 W.O. NUMBER	 13124 Trinity Drive, Stafford, TX, 77477, 281-880-8188, www.cornerstonevalve.com TITLE 1.5" X 1" ANSI 4500 TEF FLOATING BALL SW POWER VALVE PRODUCT INFO SIZE B DWG. NO. TEF PV3 SCALE: NTS
	SHEET 3 OF 3		

THE INFORMATION CONTAINED IN THIS DRAWING IS THE SOLE PROPERTY OF CORNERSTONE VALVE AND CONTAINS CORNERSTONE TRADE SECRETS. ANY REPRODUCTION IN PART OR WHOLE WITHOUT THE WRITTEN PERMISSION OF CORNERSTONE VALVE USA, LP IS STRICTLY PROHIBITED.

Once printed, this document is deemed uncontrolled. Copies must be checked against on-line master. If document is not current, it must be destroyed.