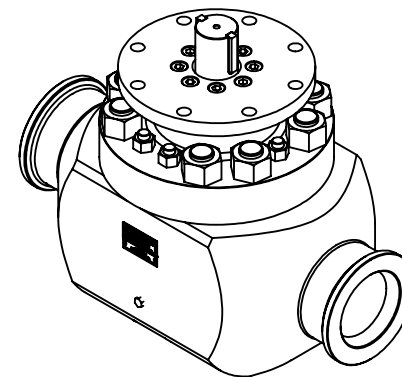
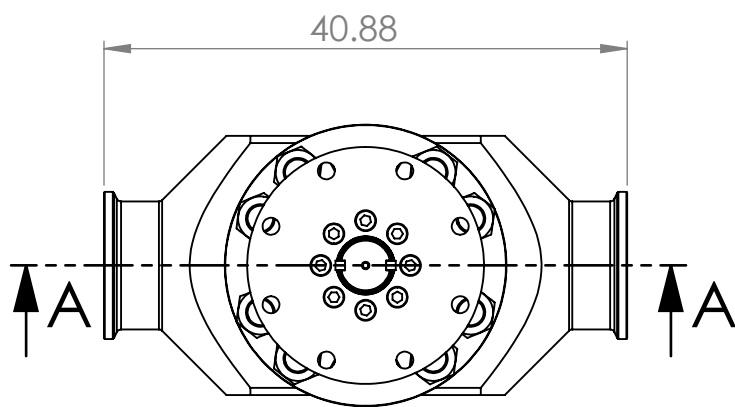


DETAIL A  
SCALE 1 : 2

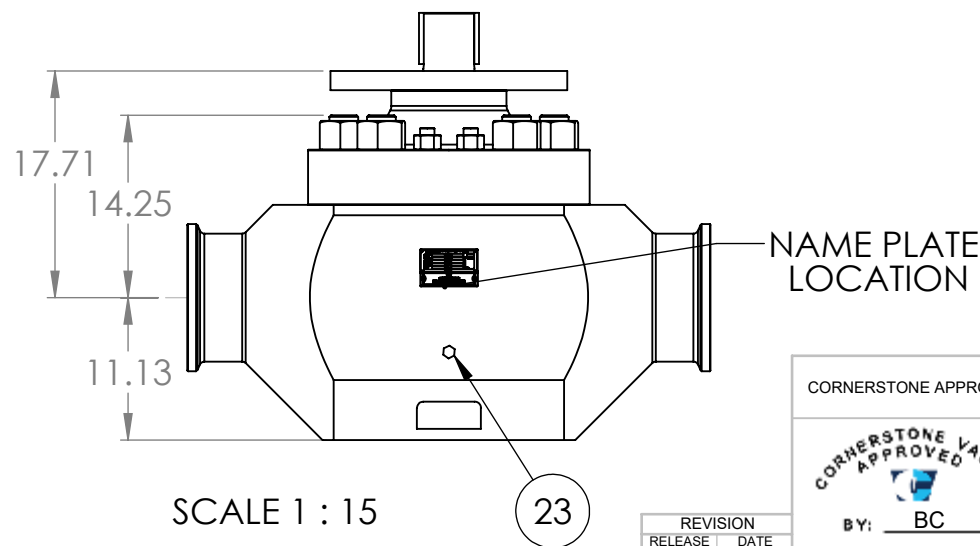


8" GR72 HUB  
TYP

SECTION A-A  
SCALE 1 : 8



SCALE 1 : 15



SCALE 1 : 15

ITEM NO.	DESCRIPTION	MATERIAL	QTY.
1	BODY	API 6A 75K 4130	1
2	BONNET	API 6A 75K 4130	1
3	**BALL	75K 4130 + WC&ENP	1
4	**METAL SEAT	17-4PH/STELLITE 6	2
5	**BONNET FIRE SAFE SEAL	17-4PH	1
6	PUSHER RING	17-4PH	2
7	**WAVE SPRING	INCONEL X750	2
8	*STEM BUSHING	316SS/PTFE	2
9	*SEAT FIRE SEAL	GRAFOIL ROPE	4
10	*STEM FIRE SEAL	GRAFOIL ROPE	2
11	*PISTON DELTA SEAL	PTFE	2
12	*SEAT O-RING	VITON EDR	2
13	*STEM O-RING	VITON EDR	4
14	*ANTI EXTRUSION RING	VIRGIN PEEK	2
15	BONNET STUD	A193 B7	8
16	HEAVY HEX NUT	A194 2H	8
17	1.125" BONNET STUD	A193 B7	6
18	1.125" HEAVY HEX NUT	A194 2H	6
19	MTG FLANGE SHCS	GRADE 8	8
20	GEAR MOUNTING FLANGE	CARBON STEEL	1
21	GEAR OPERATOR	CARBON STEEL	1
22	SQUARE KEY	CARBON STEEL	2
23	PIPE PLUG	316SS	1
24	*PISTON O-RING	VITON EDR	2
25			1
26			1

\* RECOMMENDED SPARES FOR STARTUP, BASIC SOFT GOODS  
 \*\* RECOMMENDED TWO YEAR SPARES FOR REPAIR/REBUILD  
 MIN BOLTING TORQUE ( FASTENERS LUBRICATED )  
 BODY/ BONNET: 10,780 ft/lb  
 VALVE BREAK TORQUE: 472,800 in/lb

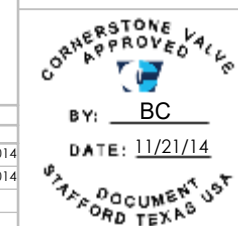
CORNERSTONE VALVE, STAFFORD, TX - USA 281-880-8188		DATE	
PART #	TE1-0688F-10000-00	TEMP. CLASS	S
VALVE SIZE	6.875	MATL. CLASS	EE
BORE SIZE	6.875	E.T.E	40.88
WORKING PRESSURE	10,000	P.S.L.	2
ENDS	8" GR72 HUB	P.R.	
		SR. #	

CORNERSTONE APPROVAL

CLIENT APPROVAL

COPYRIGHTED CAD  
GENERATED DRAWING.  
DO NOT MANUALLY UPDATE

13124 Trinity Drive  
Stafford, TX, 77477  
281-880-8188  
www.cornerstonevalve.com



APPROVALS	DATE
DRAWN GC	10/28/2014
CHECKED RB	10/28/2014
RESP ENG	
APPROVED BC	11/21/2014
W.O. NUMBER	

TITLE  
TE-1 6.875" -10,000 GR72 HUB ENDS  
METAL SEATED BALL VALVE

REVISION	
RELEASE	DATE
A	10/28/2014
B	11/21/2014

SIZE DWG. NO. REV.  
B TE1-0688F-10000-00 B  
SCALE: NTS SHEET 1 OF 1

CUSTOMER: GPI SO#: 140171/140174 PO#: 071100-3048 ITEM/TAG#: 030  
 SPECIAL REQUIREMENTS: TESTING TO API 6A PSL 3 & HIGH PRESSURE GAS TEST COMMENTS: