

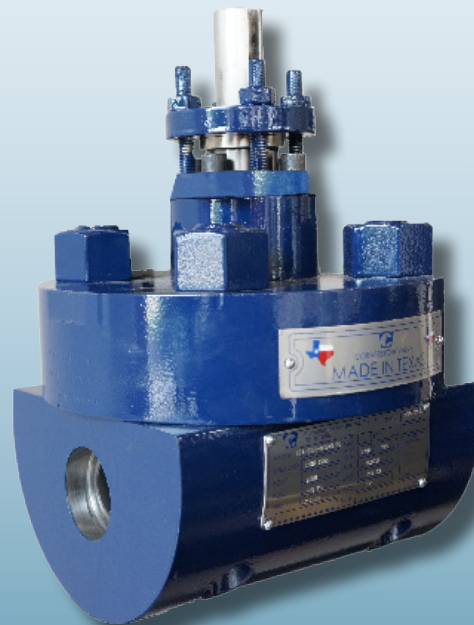
One Piece Top Entry In-Line Repairable

Model: TE-F



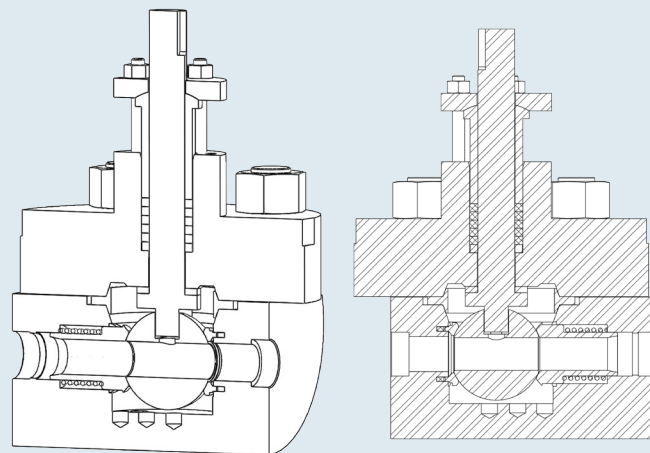
FLOATING BALL, FORGED BAR,
UNI-DIRECTIONAL

Sizes:	Up to 4"
Ratings:	ANSI 150 - 4500 API 2000 - 20000
Design Standards:	API 6D, ASME B16.34
Temperature:	From minus 20 °F to 1500 °F High Temperature
End Connections:	SW, BW, RF, RTJ, HUB END ANSI B16.5 / ANSI B16.25
Leakage Class Options:	Metal Seat- ISO 5208 Leakage Rate D, other options available upon request
Actuation:	Manual, Pneumatic, Hydraulic, Electric..



Standard Features

1. Metal-to-metal body/bonnet seal: reliable and fire safe
2. One-piece rigid body design: for optimal strength, versatility, and minimal leak paths
3. Pre-loaded, pressure assisted seating, uni-directional seating: pressure assisted wave spring ensures a tighter seal
4. Engineered stem and seat seals per customer specification
5. Seats and all wear components are field replaceable and corrosion resistant



13124 Trinity Drive, Stafford, TX. 77477
www.cornerstonevalve.com
(281) 880-8188

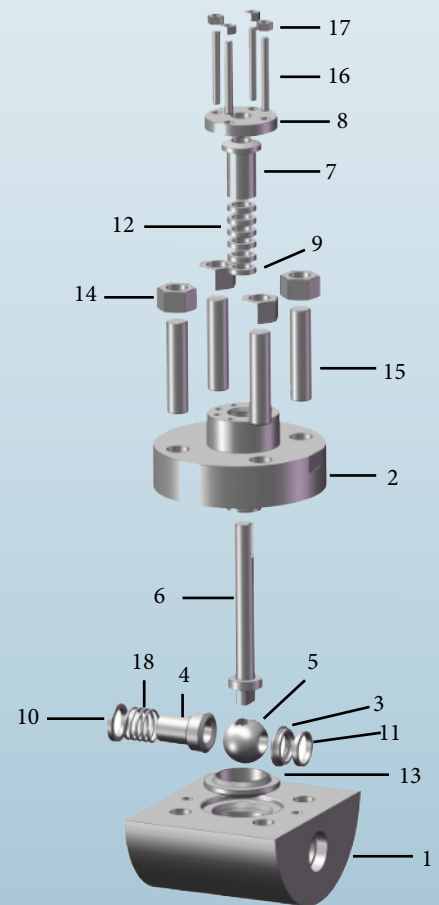


Model: TE-F

PARTS LIST

A/R = AS REQUIRED

ITEM	QTY	DESCRIPTION
1	1	Body
2	1	Bonnet
3	1	Seat (Downstream)
4	1	Seat (Upstream)
5	1	Ball
6	1	Stem
7	1	Packing Follower
8	1	Gland Flange
9	1	Stem Washer
10	1	Spring Guide
11	1	Steel Seal
12	5	Stem Packing
13	1	Bonnet Seal Ring
14	A/R	Nut
15	A/R	Stud
16	A/R	Stud
17	2	Nut
18	2	Wave Spring



Applications

- Corrosive Media
- Erosive Liquids
- Entrained Particulates in Gases
- Power Generation
- Steam Services

Materials

Carbon Steel, Stainless Steel, Duplex, Stainless, Chrome Molybdenum, Nickel & Titanium based alloys and other exotic allow available upon request.

Available Options

- Soft or metal seated
- CRA overlays
- Full and reduced bore
- Various bleed options
- Materials to nace standards
- Various ball coatings
- API 6A or 6D
- More, available upon request